



Kitchen - Sync

Single-lever mixer pull-down with spray function - polished chrome

Article number: 33 875 895-00 0010

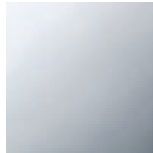


- 9-1/2" Projection
- Swiveling spout 360°
- Optional restriction, swivels 110°
- Laminar and spray function
- Total height 16-1/2"
- 9-1/2" height to aerator/spout outlet
- 1-3/8" hole diameter
- 2x 10 mm flexible supply lines including 3/8" US adapters
- 59" metal shower hose
- Sprayface with descaling system
- Water flow rate limited to max. 1.5 gpm
- lead-free

Codes & Standards

- NSF/ANSI 372
- California Energy Commission (CEC)
- ASME A112.18.1/CSA B125.1
- NSF/ANSI/CAN 61
- ADA

- (ADA)
- Internal backflow preventer.
- Push button locks into spray mode when pressed. To switch back to laminar flow the water must be turned off.



polished chrome

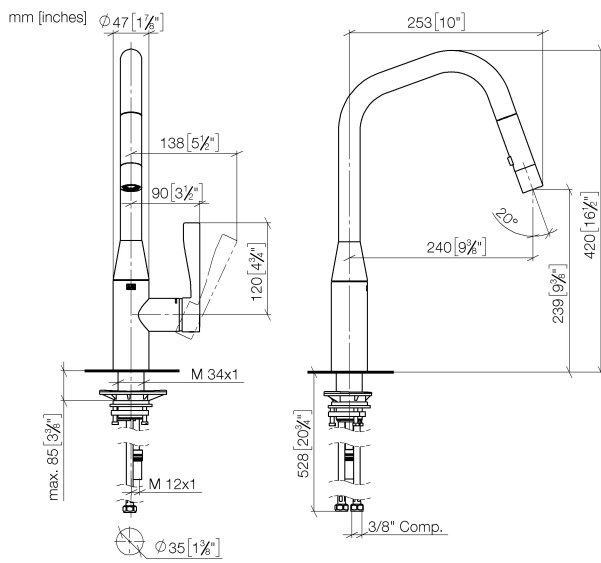


Kitchen - Sync

Single-lever mixer pull-down with spray function - polished chrome

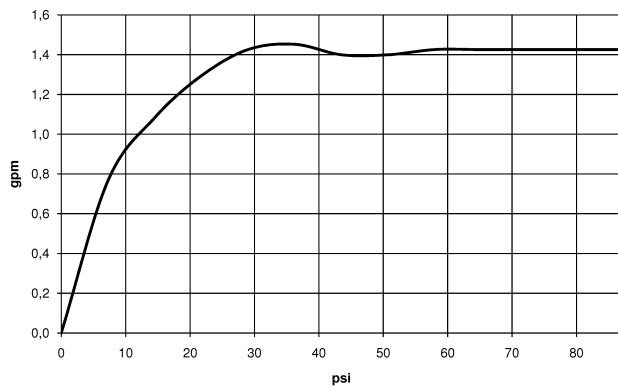
Article number: 33 875 895-00 0010

Dimensional drawing



All dimensions in mm / inch = mm x 0,0394

Flow rate chart





Kitchen - Sync

Single-lever mixer pull-down with spray function - polished chrome

Article number: 33 875 895-00 0010

Other surface finishes



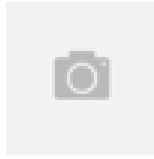
platinum matte

33 875 895-06 0010



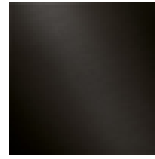
platinum

33 875 895-08 0010



Brushed Durabrass

33 875 895-28 0010



Dark Platinum matte

33 875 895-99 0010

More custom finish options are available via special production (xTra Service). Please see our finish matrix for availability and pricing or contact a Dornbracht representative.



10 713 970-00

AIR SWITCH operating button, trim parts only - polished chrome



82 424 970-00

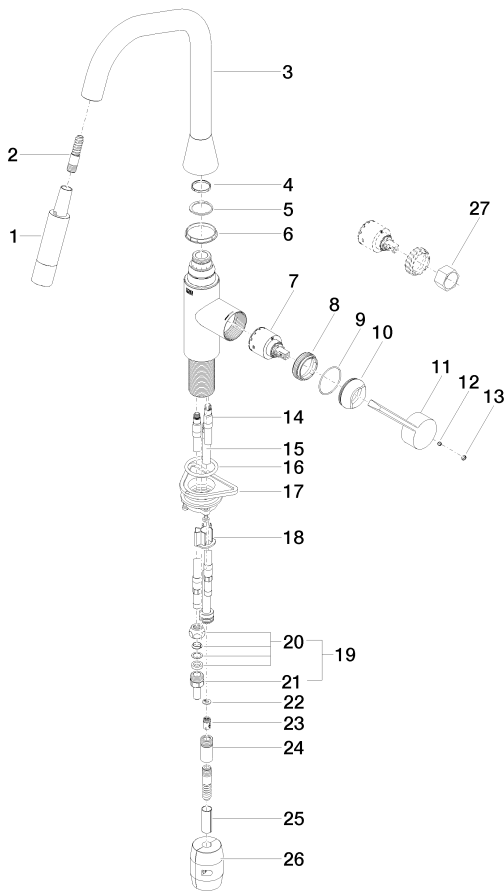
Soap dispenser without flange - polished chrome

Kitchen - Sync

Single-lever mixer pull-down with spray function - polished chrome

Article number: 33 875 895-00 0010

Spare parts list



| Number | Item Number | Designation | Number of units |
|--------|--------------------|---------------------|-----------------|
| 1 | 04 12 11 148 00-00 | shower | 1 |
| 2 | 04 30 02 120 00-00 | hose | 1 |
| 3 | 90 28 22 301 00-00 | spout | 1 |
| 4 | 09 28 10 160 90 | ring | 1 |
| 5 | 09 28 10 162 90 | ring | 1 |
| 6 | 09 28 10 161 90 | ring | 1 |
| 7 | 90 15 05 062 00 90 | cartridge | 1 |
| 8 | 09 23 10 072 90 | nut | 1 |
| 9 | 09 14 10 190 90 | seal | 1 |
| 10 | 09 28 30 030-00 | cover | 1 |
| 11 | 09 20 89 020-00 | handle | 1 |
| 12 | 09 31 11 063 90 | pin | 1 |
| 13 | 90 31 20 087 00-00 | plug | 1 |
| 14 | 04 30 04 098 00 90 | hose | 2 |
| 15 | 04 28 20 066 00 90 | pipe | 1 |
| 16 | 09 14 10 036 90 | seal | 1 |
| 17 | 04 30 11 040 00 90 | fixing set | 1 |
| 18 | 09 20 93 056 90 | insert | 1 |
| 19 | 04 24 04 222 00-00 | adaptor | 2 |
| 20 | 04 23 30 031 01-07 | threaded connector | 2 |
| 21 | 09 24 04 222 10-00 | adaptor | 2 |
| 22 | 09 16 01 023 90 | ring | 1 |
| 23 | 09 23 01 096 90 | back-flow preventer | 1 |
| 24 | 90 24 03 253 00 90 | adaptor | 1 |
| 25 | 09 30 03 038 90 | hose | 1 |
| 26 | 04 21 50 010 00 90 | accessories | 1 |
| 27 | 09 30 09 031 90 | key | 1 |